

QDI2020X

High Power, High Isolation

Features:

- * High Power
- * High Isolation
- * Low Insertion Loss
- * Low VSWR

Applications:

- * Wireless
- * Radar
- * Laboratory Test

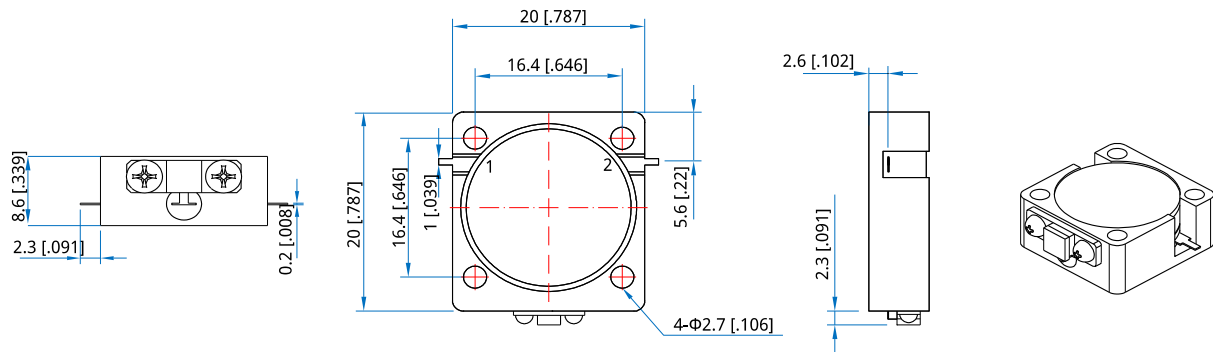
Description

QDI2020X series Drop-In Isolators cover frequency range 600~4000MHz. High power, high isolation and low insertion loss make it ideal for a lot of applications like amplifiers, transceivers, etc.

Specifications

Frequency (MHz)	Bandwidth (MHz)	Insertion Loss (dB Max.)	Isolation (dB Min.)	VSWR (Max.)	Fwd Power (W Max.)	Rev Power (W)	Temperature (°C)
600~800	20	0.40	23.0	1.20	150	20	-30~+70
600~800	50	0.40	20.0	1.25	150	20	-30~+70
700~1300	30	0.25	25.0	1.15	150	20	-30~+70
700~1300	100	0.40	20.0	1.25	150	20	-30~+70
825~875	50	0.40	20.0	1.20	150	20	-30~+70
869~894	25	0.25	25.0	1.20	150	20	-30~+70
885~915	30	0.25	25.0	1.20	150	20	-30~+70
850~960	110	0.40	20.0	1.25	150	20	-30~+70
920~960	40	0.25	25.0	1.20	150	20	-30~+70
1030~1090	60	0.30	23.0	1.20	150	20	-30~+70
1300~3000	75	0.25	25.0	1.15	150	20	-30~+70
1300~3000	100	0.30	23.0	1.20	150	20	-30~+70
1300~3000	200	0.40	20.0	1.25	150	20	-30~+70
1500~1700	200	0.40	20.0	1.25	150	20	-30~+70
1700~1900	200	0.40	20.0	1.25	150	20	-30~+70
1900~2200	300	0.40	20.0	1.25	150	20	-30~+70
2100~2700	600	0.50	18.0	1.35	150	20	-30~+70
2300~2700	400	0.40	20.0	1.25	150	20	-30~+70
2400~2500	100	0.25	25.0	1.15	150	20	-30~+70
2500~2700	200	0.30	23.0	1.20	150	20	-30~+70
3000~4000	200	0.30	23.0	1.20	150	20	-30~+70
3000~4000	400	0.40	20.0	1.25	150	20	-30~+70
3200~3900	700	0.40	20.0	1.25	150	20	-30~+70
3300~3600	300	0.40	23.0	1.20	150	20	-30~+70
3400~4300	900	0.50	20.0	1.25	150	20	-30~+70
3600~3800	200	0.30	23.0	1.20	150	20	-30~+70

Outline Drawings



Unit: mm [inch] Tolerance: $\pm 0.2\text{mm}$ [$\pm 0.008\text{in}$]

Mechanical

Size^{*1}: 20*20*8.6mm
0.787*0.787*0.339in

Connector Type: Strip line

Mounting: 4- $\Phi 2.7\text{mm}$ through-hole

[1] Exclude connectors and terminations.

How To Order

QDI2020X-X-Y-Z

X: Start frequency in MHz

Y: Stop frequency in MHz

Z: Reverse Power in W

Examples:

To order a QDI2020X series Isolator, 3600~3800MHz, 20W, specify QDI2020X-3600-3800-20.

Customization is available upon request.